

Service
Service
Service



Service Manual



CONTENTS

- Circuit diagram - CD part
 - MP3 part
 - Tuner & Amp & Power part
- PCB Layout diagram - top view
 - bottom view
- Service parts list

© Copyright 2006 Philips Consumer Electronics B.V. Eindhoven, The Netherlands
All rights reserved. No part of this publication may be reproduced, stored in a retrieval system or transmitted, in any form or by any means, electronic, mechanical, photocopying, or otherwise without the prior permission of Philips.

Published by LX 0703 Service Audio Subject to modification

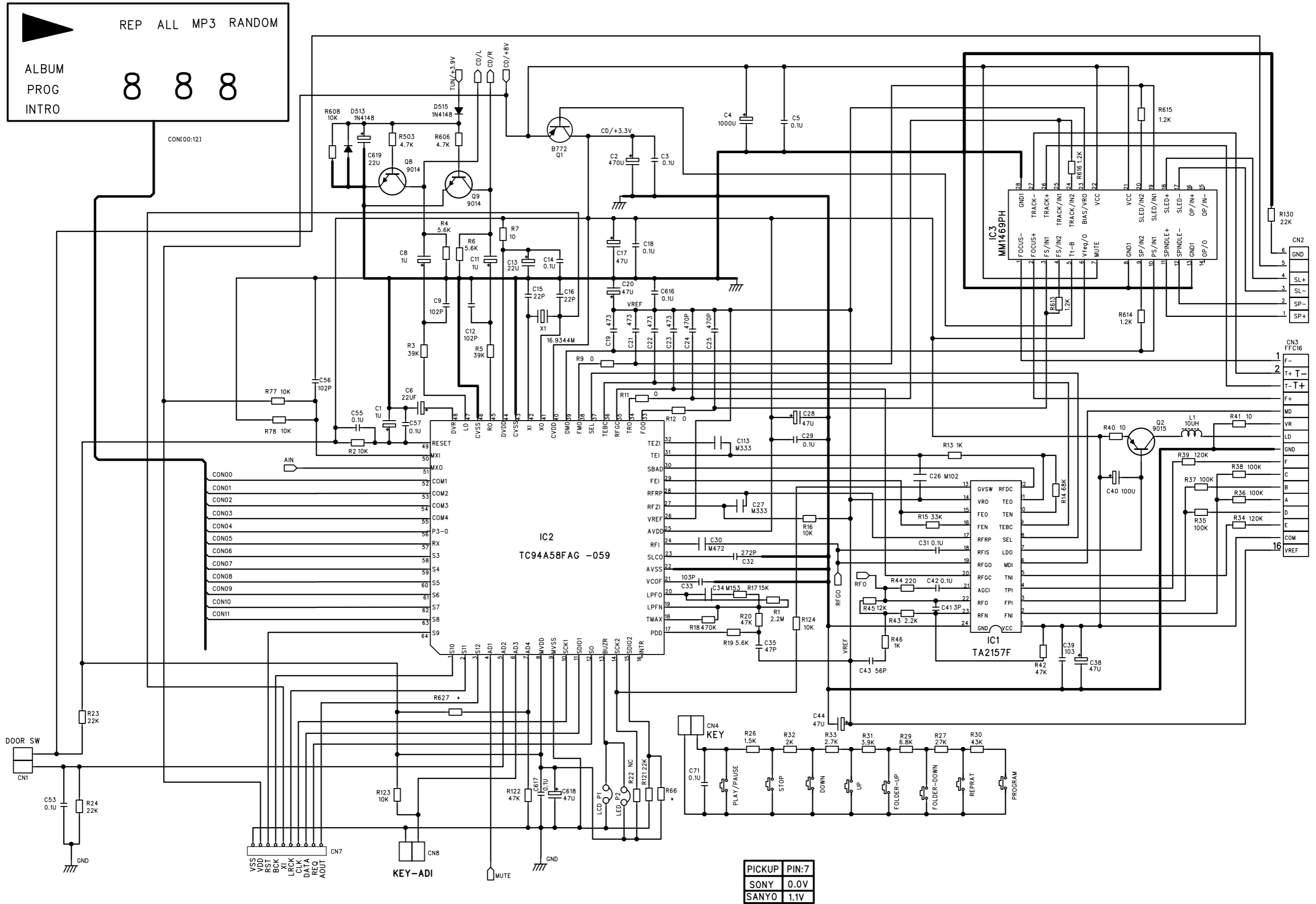
GB 3141 785 31530

Version 1.0



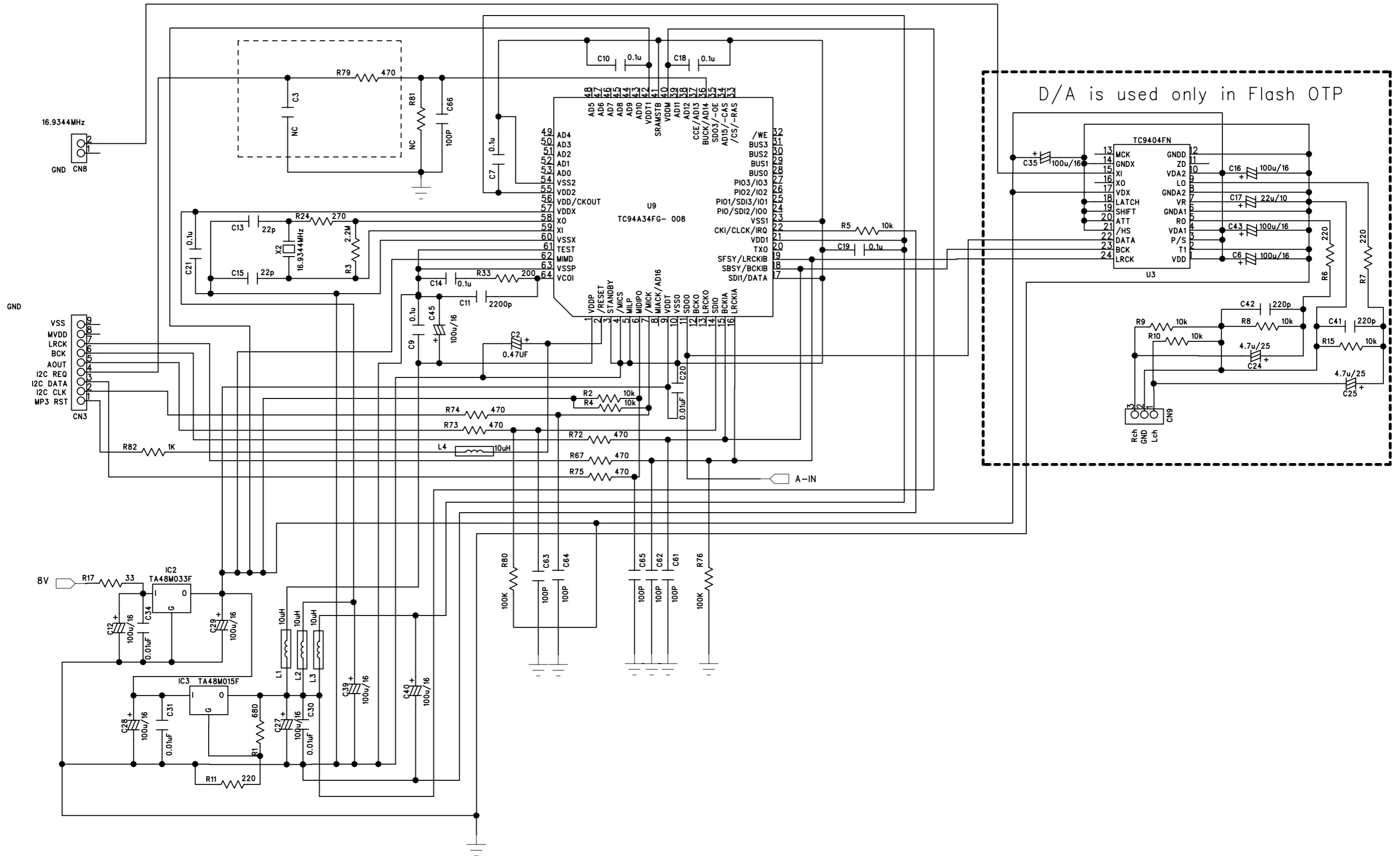
PHILIPS

CD part

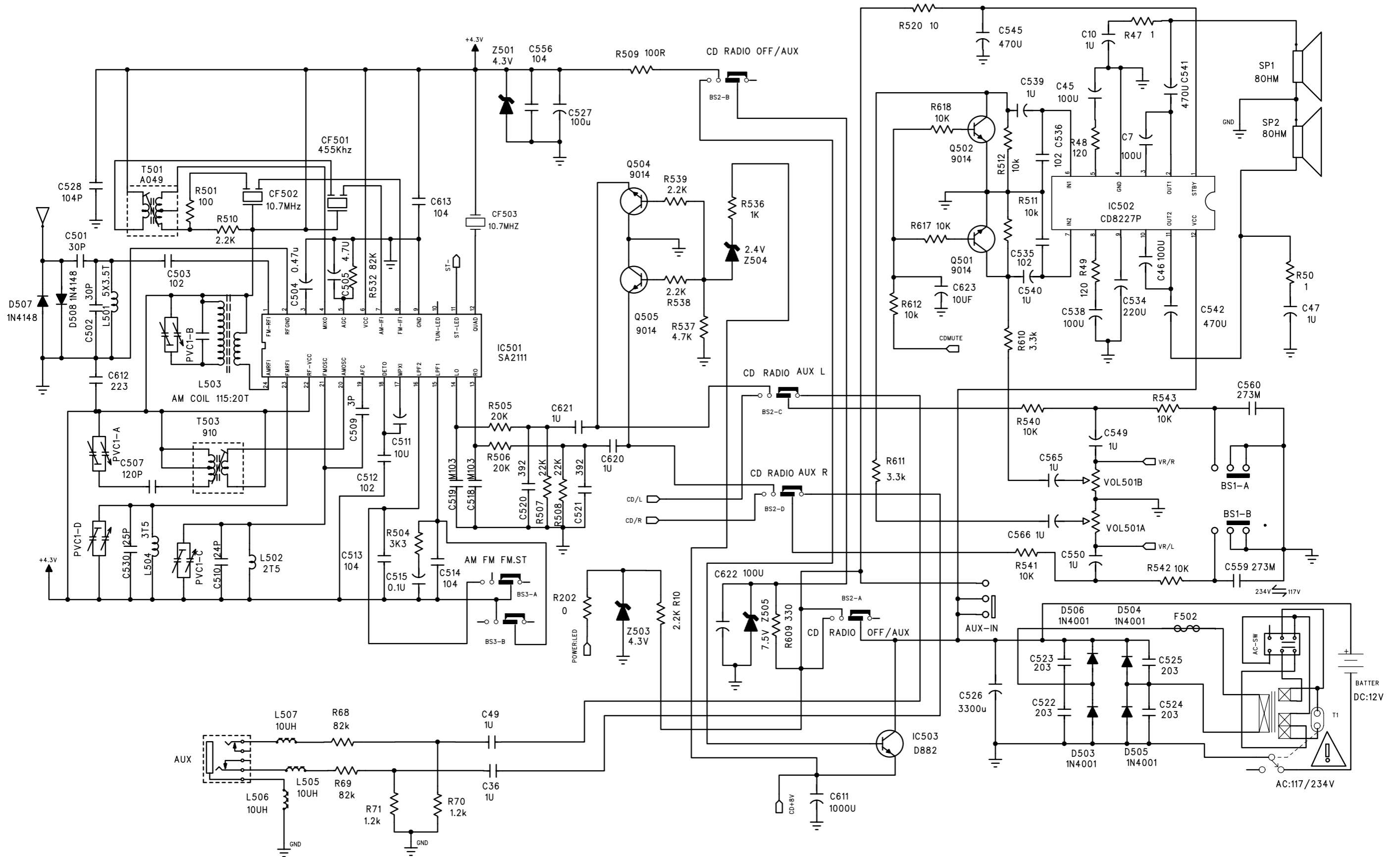


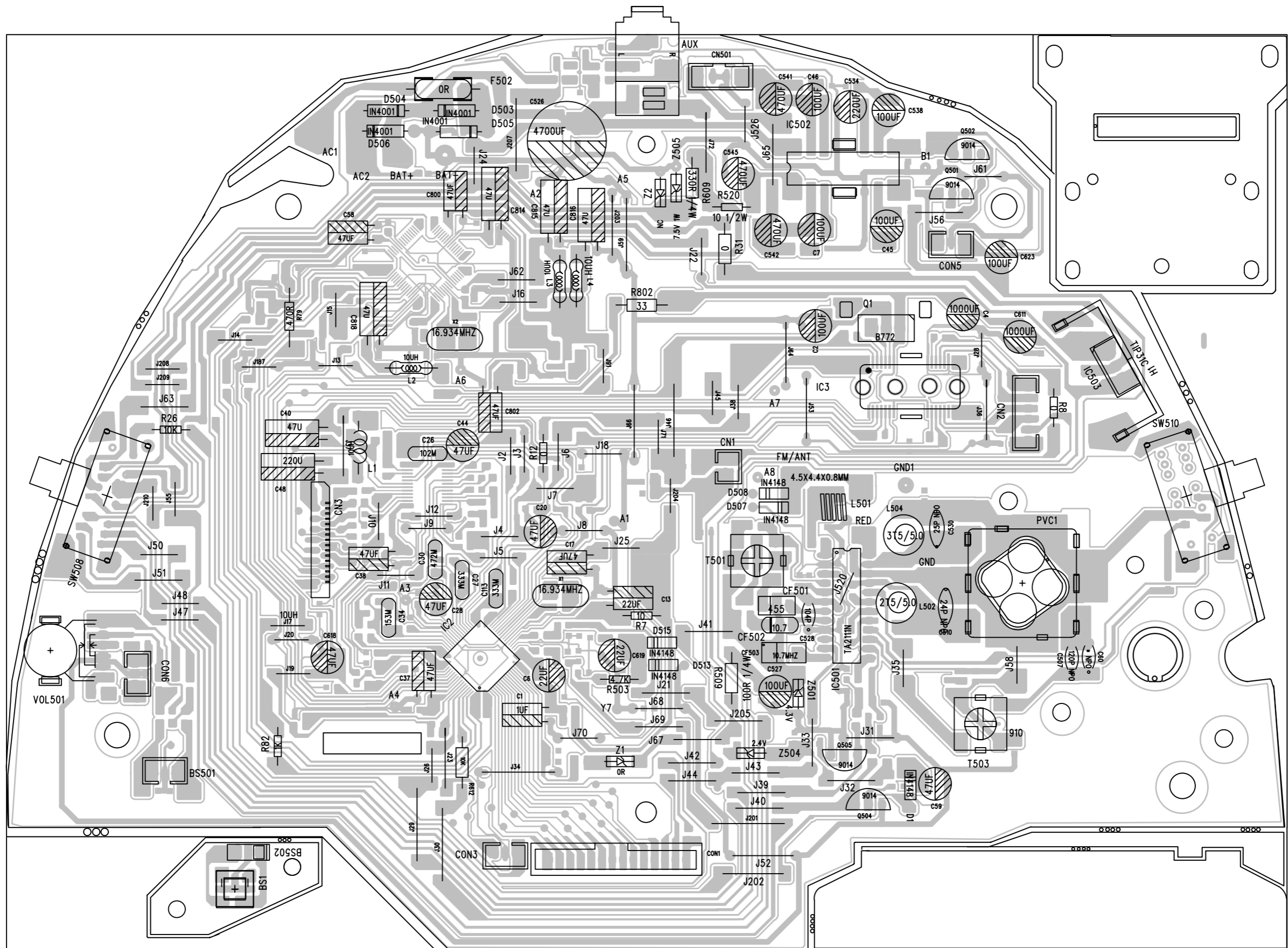
PICKUP	PIN:7
SONY	0.0V
SANYO	1.1V

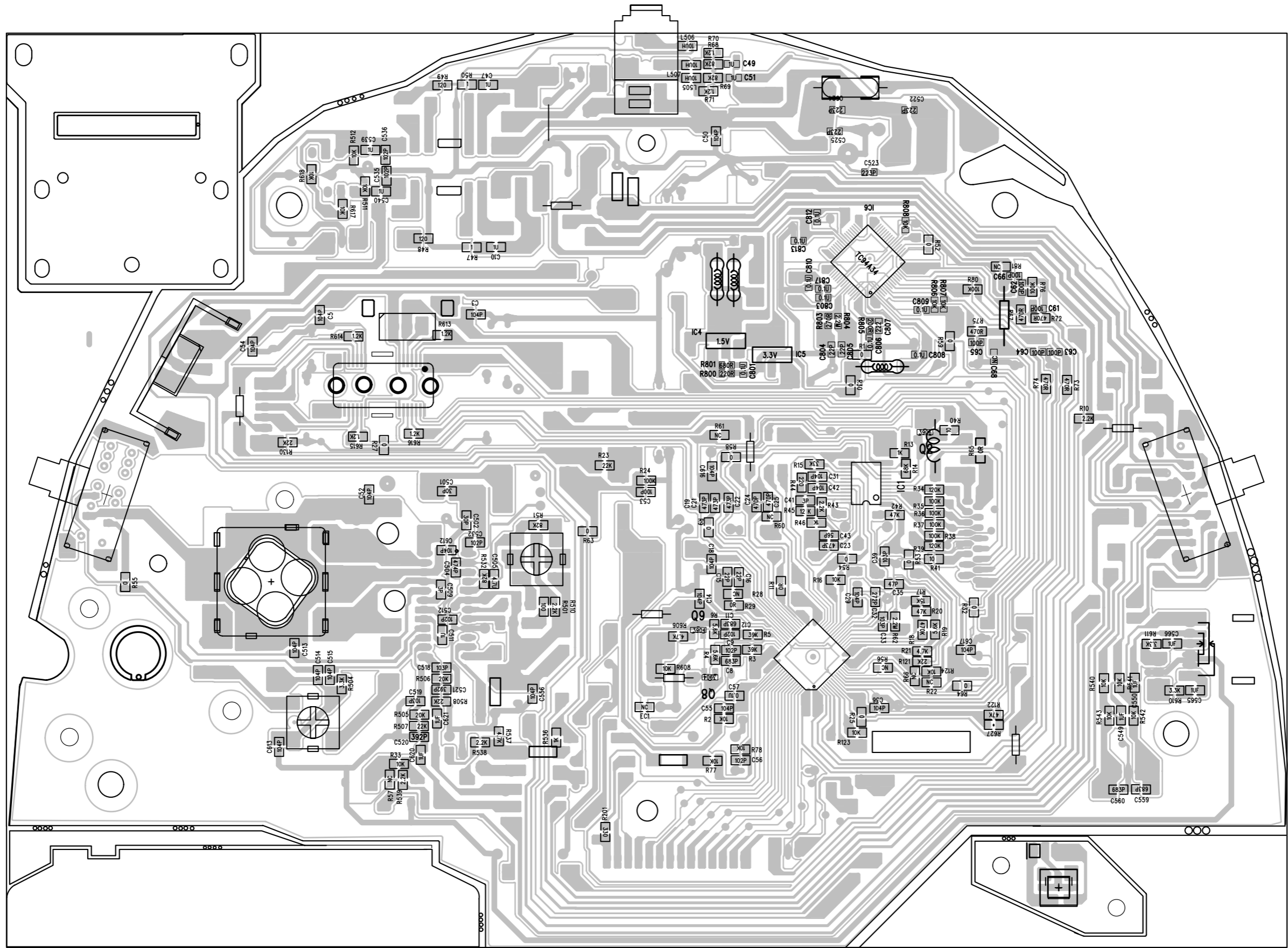
MP3 part



TUNER & AMP & POWER part







Service parts list

996500037714	AC CORD SET VDE/BRAZIL APP 1.83M (BLACK)
996510000963	H/TRANSFORMER EI41 117Vx2 HF-41D54TM
994000003883	SPEAKER 3" 2W 8Ω JHD-YD78-28
994000005085	CD MECHANISM (SANYO) DA11B3VZ
994000003671	ROD ANTENNA 136~474mm #AS3201100
996500041751	CD DOOR SPRING DIA0.8mm
994000004376	SWITCH SL14-22AH-5AN
994000003673	AC SOCKET TC08-115-02 VDE APP
996500040405	16P FLAT FLEX CABLE 1mm L=60mm
996510000964	BATTERY DOOR
996510000965	CD DOOR "VITEK"(MP3)
996510000966	GEAR
996510000967	GEAR HOLDER
996510000968	HANDLE(SIL.TN8-7)
996510000969	HANDLE COVER(SIL TN8-7)
996510000970	WASHER

Note: Only these parts mentioned in the list are normal service parts.